

MONRO

DESIGN STUDIO

Bespoke Timepiece Design & Manufacture



MONRO DESIGN STUDIO

We create bespoke products tailored to your brand.

Nobody has a better vision for their own brand than you and we pride ourselves in forging creative working relationships with our clients to make their dream a reality. We liaise at every stage of the project, ensuring requirements are exceeded, with the aim of becoming trusted long-term partners.

We are currently working with some of the industry's most prominent brands across all gender categories growing their presence with a strong foundation of bespoke product into fully realised collections.

The following design is an in-house project showcasing some of our skill set. It is an example of a bespoke concept that is currently available. The watch has the MONRO logo but all aspects of branding could be replaced with your own.



Concept MDS1.0

Shapes within shapes

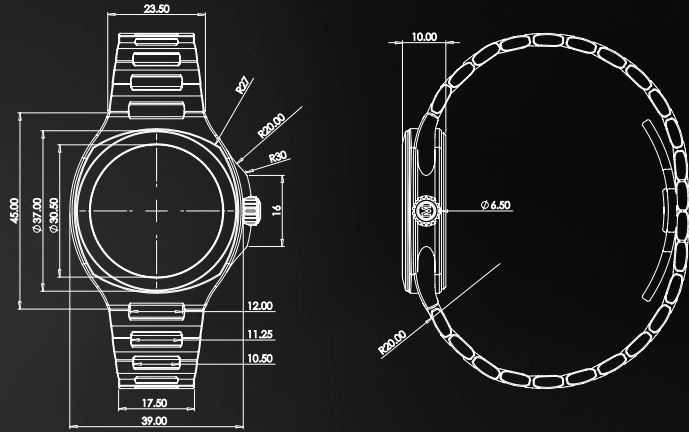
A contemporary take on the ever popular stainless steel sports dress watch, the individual features of MDS1.0 combine harmoniously to provide a proportionally satisfying and sophisticated piece.

Every aspect of the design is bespoke. From the circular dial opening with cushion shaped minute track to the complimenting polished bezel and brushed case which flows into the tapered bracelet.

Our meticulous attention to the smallest of detail gives each Monro designed product a character of its own.



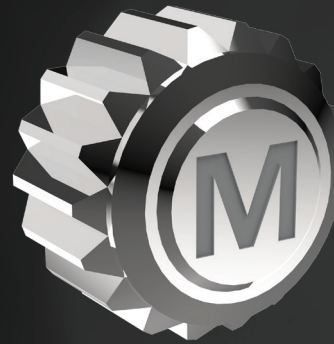
Technical drawing



3D concept sketch



Movement



Crown detail

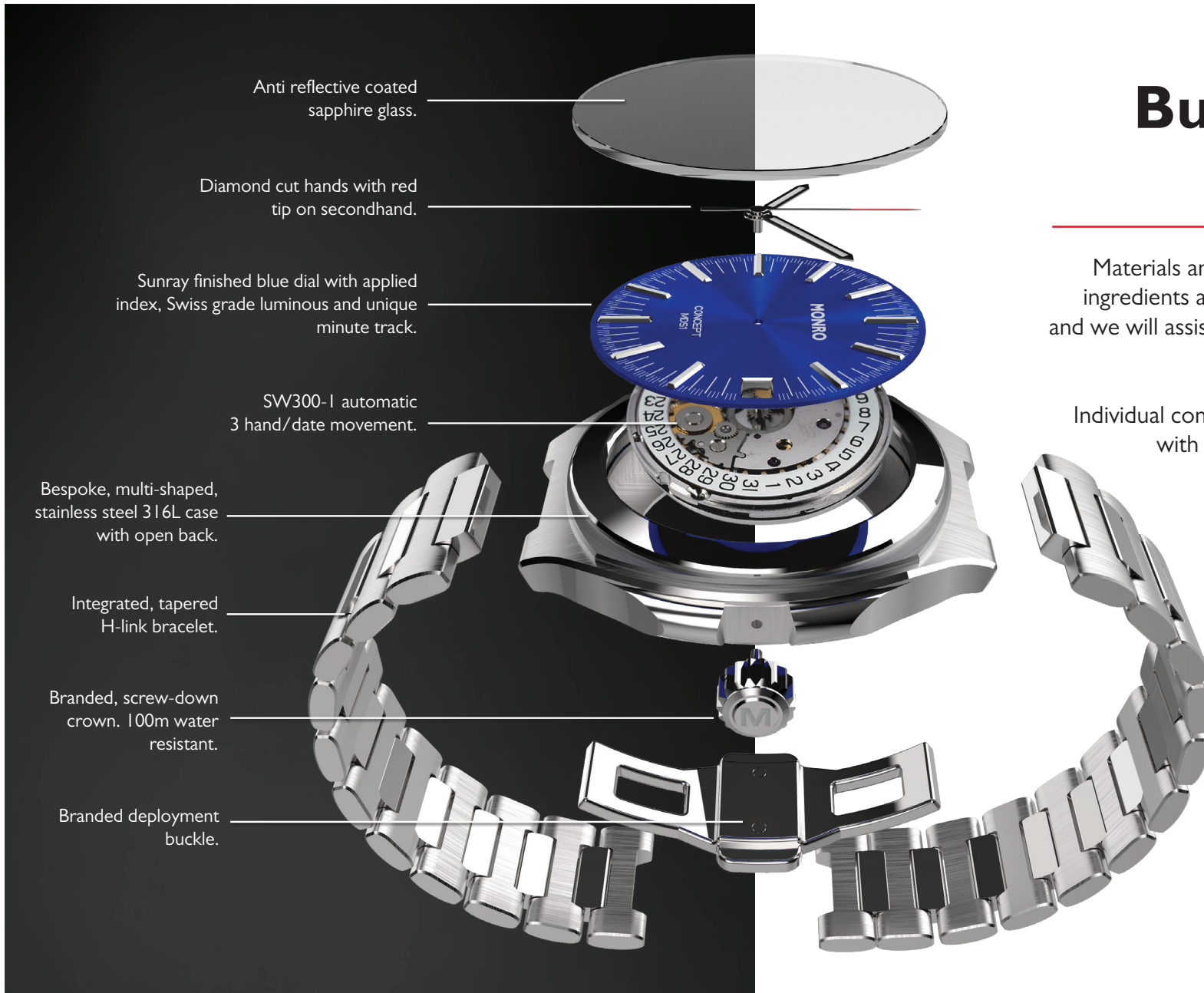
Details Matter

Product to brand alignment

Refinement of the initial concept is an essential process to ensure the final product stands up against its competition.

All aspects of design development from sketching to 3D CAD and prototyping are tools that we use to carefully consider an approach that hones in on your brand DNA.

This, coupled with our extensive industry experience, ultimately provides you with a bespoke and commercially viable watch collection that shines in the marketplace and aligns with your brand ethos.



Anti reflective coated sapphire glass.

Diamond cut hands with red tip on secondhand.

Sunray finished blue dial with applied index, Swiss grade luminous and unique minute track.

SW300-1 automatic 3 hand/date movement.

Bespoke, multi-shaped, stainless steel 316L case with open back.

Integrated, tapered H-link bracelet.

Branded, screw-down crown. 100m water resistant.

Branded deployment buckle.

Build Quality

Reliability is key

Materials and movement selection are vital ingredients at the early stages of the project and we will assist you in reaching your required specifications and price point.

Individual componentry is reviewed at length with our trusted manufacturing base ensuring the finishing is to the highest standard while each product run has 100% of stock passed through extensive Quality Control checks before shipping to your door.

MONRO

DESIGN STUDIO

Our Mission

To deliver design, strategy and product that excites, engages and most importantly sells.
To become a trusted partner and be the go-to destination for brands and retailers.

Our Values

We are a dedicated design consultancy committed to ensuring our partner's requirements are surpassed at every stage.

Our Promise

To provide a tailored product strategy and fulfil your brand's potential.
First we discuss, then we plan and execute a fluid process suiting your requirements.



Packaging & Display

All our products are shipped in bespoke packaging complete with warranty cards and outer protective sleeves. We have the capability to produce these in FSC approved recycled materials.

We can even help with display design and manufacture for any in-store requirements.

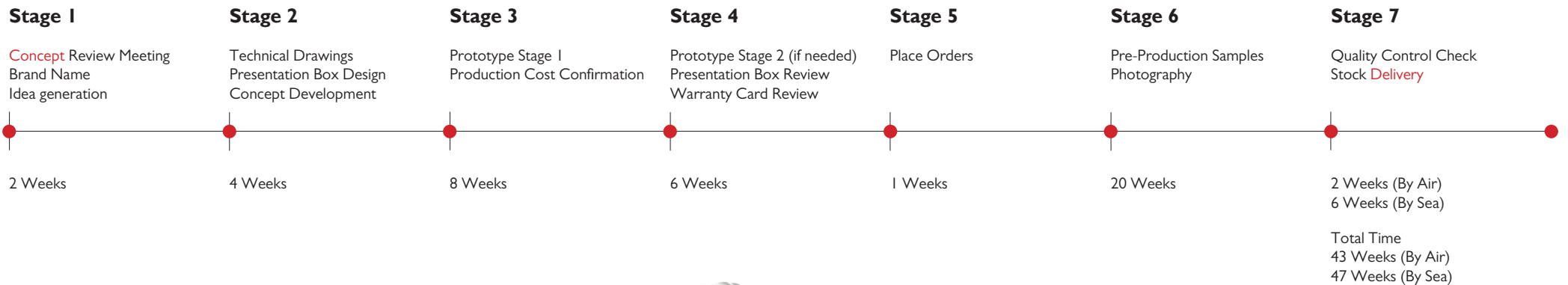


MONRO

DESIGN STUDIO

Concept to Delivery Timeline

We manage every stage for you.



MONRO DESIGN STUDIO

A selection of in-house concepts can be viewed in greater detail on our website, please follow the links for more.

If you would like to contact us about your own brand requirements please get in touch at:

info@monrodesignstudio.com
www.monrodesignstudio.com

We look forward to hearing from you,

Ryan & Matt, co-founders.



Available Design
click [here](#) for more



Available Design
click [here](#) for more



Available Design
click [here](#) for more



Available Design
click [here](#) for more